

Voith Paper

VOITH

Thune™ Controller



Thune™ Controller

- Immediate response
- Low air consumption 15N lit/min
- Suitable for wet end & dry end applications.

Repair / Exchange program

Return your defect controller to us and you will receive a new one in return.
Please contact us for detailed information

Thune™ Controller

is a precision pneumatic device for all of the Thune™ Wire and Felt Guides.

It regulates the air flow to each of the guide air diaphragms, thus providing the moving force to move the actuator housing holding the end of the guide roll back and forth.

The Controller is precalibrated for proper operation in a normal guiding application.

Improvements

The controller is completely supplied with chrome plated palm and cover in AISI 316L as standard.

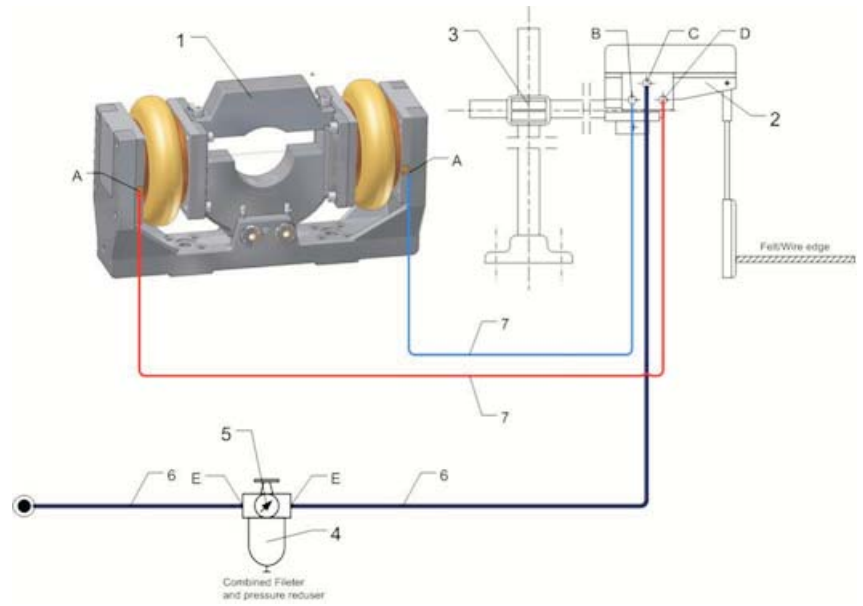
Principle of operation

The fabric edge runs in contact with the controller (palm). The palm is held against the fabric edge by a pivot arm and a return spring. The palm movement in both directions is transferred through this spring to a needle valve placed inside the controller housing.

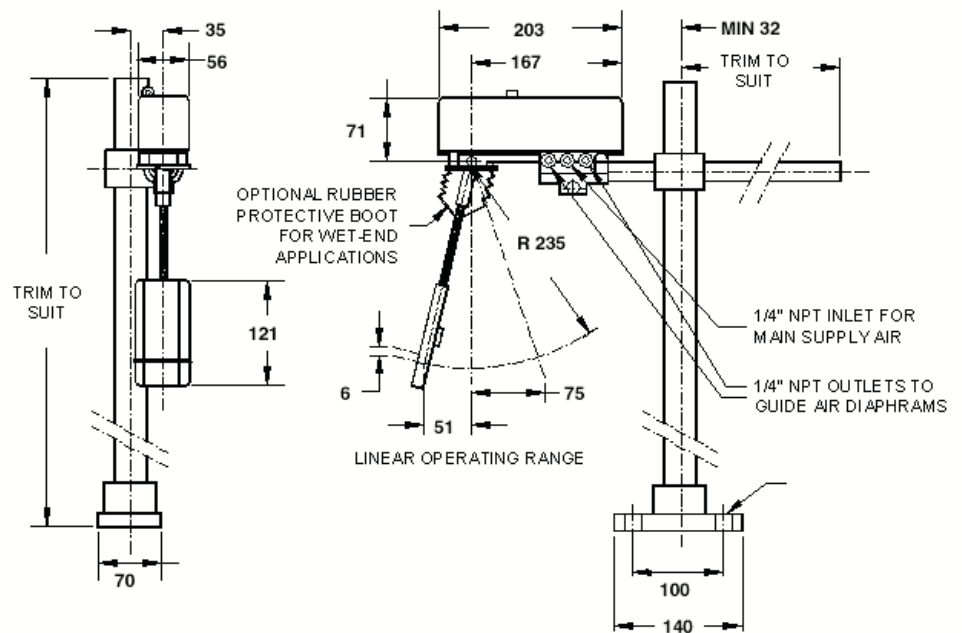


Voith Paper AS
 P.O.Box 173
 NO-3401 Lier
 Tranby, Norway
 Tel.: +47 3285 9100
 Fax: +47 3285 0105
 www.voith.no
 www.thuneguide.com

Process connection



General Dimension



VOITH
Engineered reliability

Additional optional equipent

- Thune™ Manual Guide
- Thune™ Controller
- Voith SensoTension
- Non Contact Controller